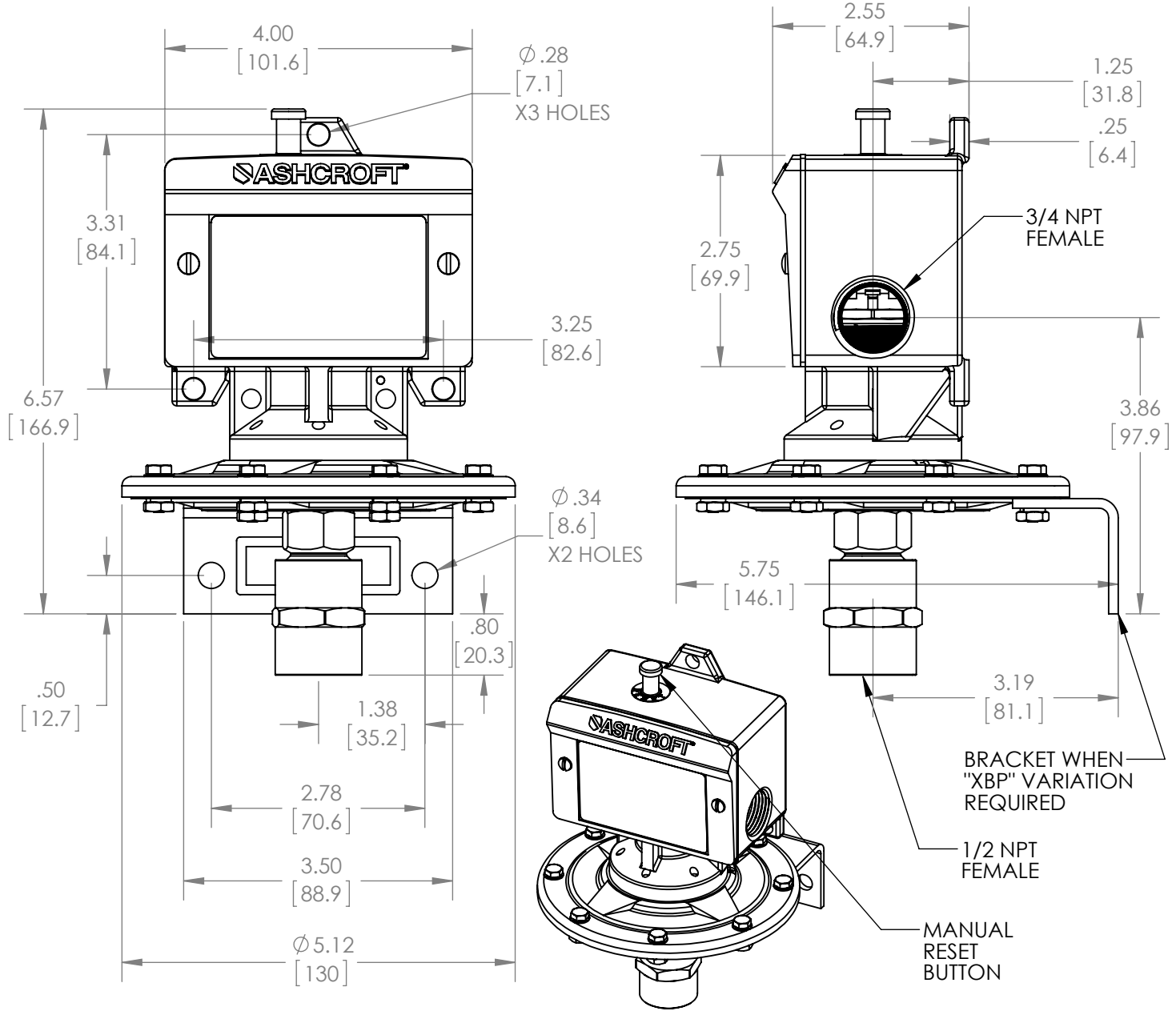


This drawing includes confidential information which is the property of ASHCROFT INC. This copy is loaned for a specific purpose, with the understanding that it will not be reproduced or used for any other purpose or disclosed to others, and it will be returned on demand.



NOTE:
 SWITCH CODE 28 IS FOR MANUAL RESET TRIP FOR INCREASING PRESSURE.
 SWITCH CODE 29 IS FOR MANUAL RESET TRIP FOR DECREASING PRESSURE.

DIMENSIONS IN [] ARE MILLIMETERS

APPLICABLE SWITCH PRODUCT CODES				
SWITCH TYPE	SWITCH ELEMENT	SEAL MATERIAL	VARIATIONS	RANGE
B4	28, 29	B, T, V	XBP07	10-150 IW

REV.	ECO	DESCRIPTION	BY	DATE
A	0007530	RELEASE GENERAL DIMENSIONS	HOY	4/1/2015

This print certified correct for
 Customer's Name

General Dimensions
B4 PRESSURE SWITCH
 BUNA, TEFLON, VITON DIAPHRAGM MAT'L
 RANGES 10 – 150 IW - XBP07; MANUAL RESET

Customer's Order No.
 Ashcroft Order No.

Drawn HOY Date 4/1/15 Date of Issue
 Checked TB Date 4/1/15 SHEET-1 Rev.

Certified by Date

Approved SSH Date 4/1/15 **70A4019** **A**