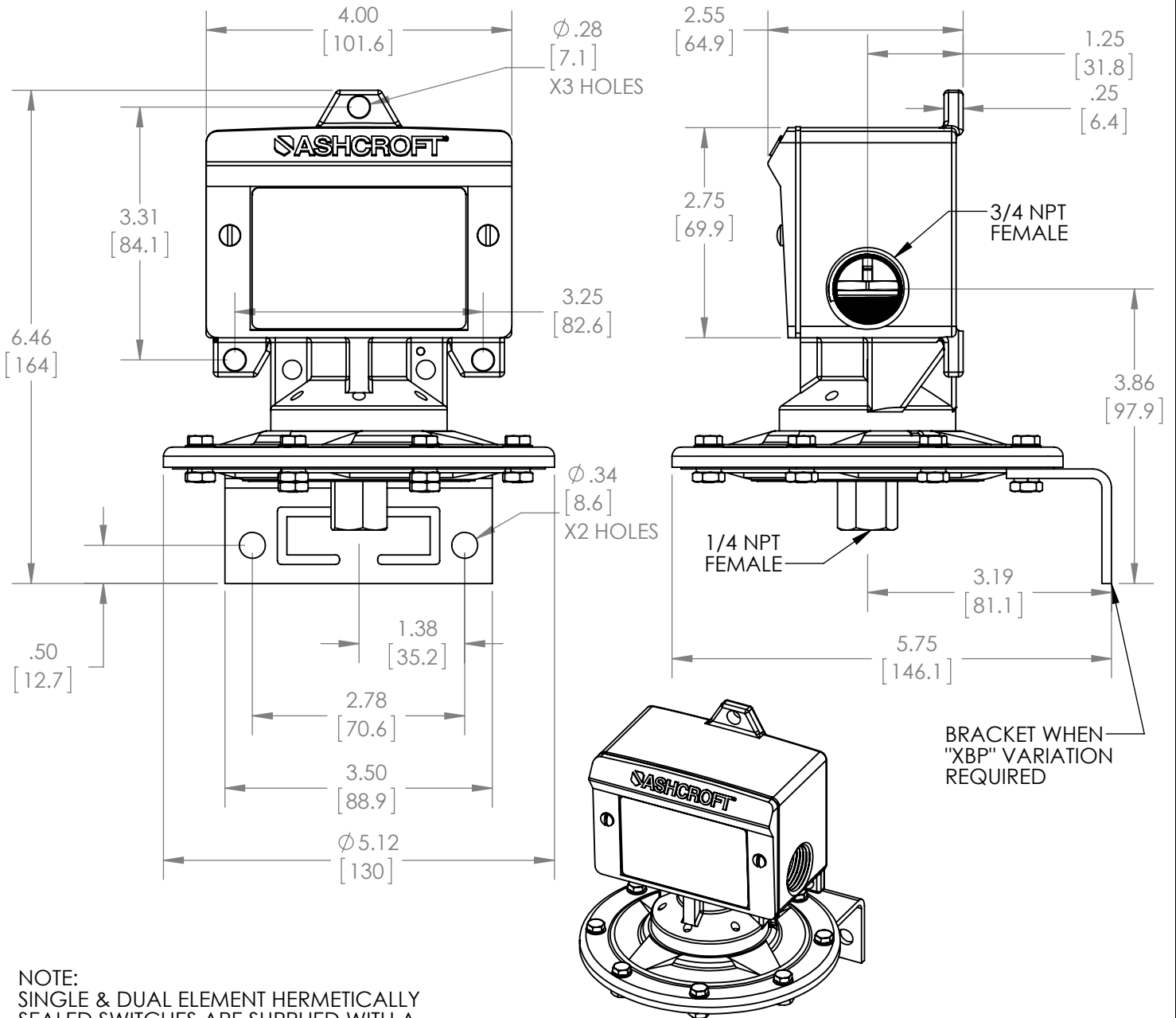


This drawing includes confidential information which is the property of ASHCROFT INC. This copy is loaned for a specific purpose, with the understanding that it will not be reproduced or used for any other purpose or disclosed to others, and it will be returned on demand.

250 EAST MAIN STREET  
STRATFORD, CT 06614



NOTE:  
SINGLE & DUAL ELEMENT HERMETICALLY SEALED SWITCHES ARE SUPPLIED WITH A SET OF 12" 18 GA. LEADS.

ALL OTHER DUAL ELEMENT SWITCHES ARE SUPPLIED WITH A SET OF 6" 18 GA. LEADS FOR THE REAR MOUNTED SWITCH ONLY.

DIMENSIONS IN [ ] ARE MILLIMETERS

APPLICABLE SWITCH PRODUCT CODES					
SWITCH TYPE	SWITCH ELEMENT	SEAL MATERIAL	VARIATIONS	RANGE	
B4	-	B, T, V	XBP	10-150 IW	
REV.	ECO	DESCRIPTION		BY	DATE
A	0007530	RELEASE GENERAL DIMENSIONS		HOY	4/1/2015

This print certified correct for  
Customer's Name

**General Dimensions**  
**B4 PRESSURE SWITCH**  
BUNA, TEFLON, VITON DIAPHRAGM MAT'L  
RANGES 10 – 150 IW - XBP

Customer's Order No.  
Ashcroft Order No.  
Certified by  
Date

Drawn HOY Date 4/1/15 Date of Issue  
Checked TB Date 4/1/15 SHEET-1 Rev.  
Approved SSH Date 4/1/15 **70A4014** **A**