

Data Sheet

HPT High Purity Pressure Gauge 63mm Dial Size

FEATURES

- Teflon® wetted parts
- Cleaned in class 10,000 clean room
- Polyethylene-sealed after nitrogen gas flushing

TYPICAL USES

- Chemical delivery system
- Wafer manufacturing
- Ultrapure water applications
- Plating processing
- Pharmaceutical



HPT
63mm dial size



SPECIFICATIONS

Accuracy: ±1.5% of span (ranges 90 psi and above)
±2.0% of span (ranges 90 psi and below)

Dial Sizes: 63 mm

Ranges: Vacuum to 145 psi

Process Connection: G $\frac{3}{8}$ "
R $\frac{3}{8}$ "
Tube Stub: $\frac{1}{4}$ ", $\frac{3}{8}$ ", $\frac{1}{2}$ ", 6 mm, & 8 mm

Process Conn. Location: Lower

Window Material: PET resin

Dial: White face

Pointer: Black, aluminum

Approvals: RoHS

Weight: Aprox. 190g

KEY BENEFITS

- Ultraclean design & packaging
- 100% N2 Leak Tested
- Serialized dial (7 digit)

MIN/MAX TEMPERATURE LIMITS

Process

10°F to 85°F
(10°C to 30°C)

WETTED COMPONENTS

Bellows Material

Socket

PFA (Perfluoroalkoxy) Teflon

PTFE Teflon

NON-WETTED COMPONENTS

Case

Polypropylene

Data Sheet

HPT High Purity Pressure Gauge 63mm Dial Size

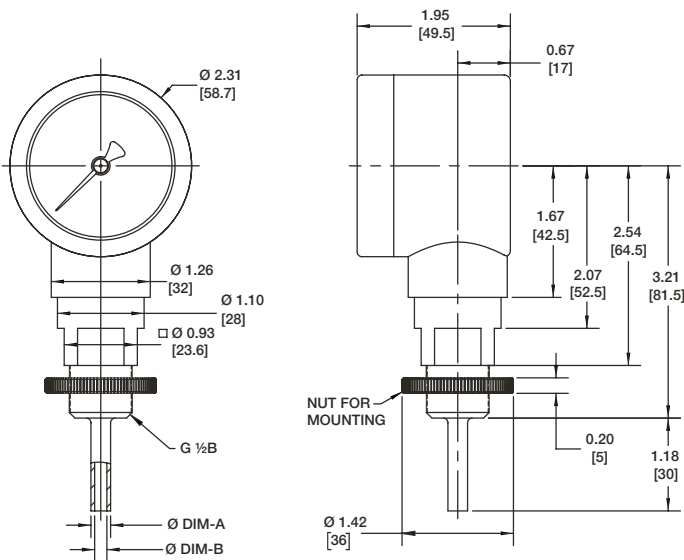
ORDERING CODE	Example:	63	HPT	W	TBF	L	60#
Size							
63 - 63mm		63					
Gauge Family							
HPT - Teflon high purity gauge			HPT				
Purity Level							
W - Class 10000				W			
Process Connection							
MGF - G 3/8" B Male							
MRF - R 3/8" Male							
TQF - 1/4" Tube stub							
TBF - 3/8" Tube stub					TBF		
THF - 1/2" Tube stub							
Process Connection Location							
L - Lower						L	
Range							
# - PSI							60#
IMV - Inches of mercury vacuum							
BR - Bar							
KP - Kilopascals							
MP - Megapascals							

STANDARD RANGES			
psi	bar	kPa	MPa
30IMV	N1BR	N100KP	NP1MP
15#	1BR	100KP	P1MP
30#	2BR	200KP	P2MP
60#	4BR	400KP	P4MP
90#	6BR	600KP	P6MP
150#	10BR	1000KP	1MP

DIMENSIONS in [] are millimeters

For reference only, consult Ashcroft for specific dimensional drawings

Stub Connection



Threaded Connection

