

WARNING: Special Conditions of Use. See Installation Drawing 825A030 Rev. B

E2F PRESSURE TRANSDUCER

Ashcroft Drawing 825A030 Rev B

General Notes

- Control equipment connected to Associated Apparatus must not use or generate more than 250 Vrms or Vdc.
- Associated apparatus manufacturer's installation drawing must be followed when installing this equipment.
- Run shielded interconnection cable with shield connected to FM approved associated apparatus ground.

Warnings

- Do not disconnect equipment unless area is known to be non-hazardous.
- Substitution of components may impair suitability for hazardous (classified) locations.
- No revision to drawing without prior approval from FM

Special Conditions of Use

- The pressure transducer does not withstand a 500Vrms dielectric strength test between the circuit and the earth ground. This must be taken into account during installation.
- Flamepaths are not for repair.
- The equipment has flying lead conductors that exit the enclosure. A suitably certified Ex d or Ex e terminal box is required to be connected to equipment enclosure for completing to external supply circuit.
- Installer must connect the device to appropriate earthing connection. This can be done via metallic plumbing, use of metallic conduit/ junction box, and/or earthing clamp/strap

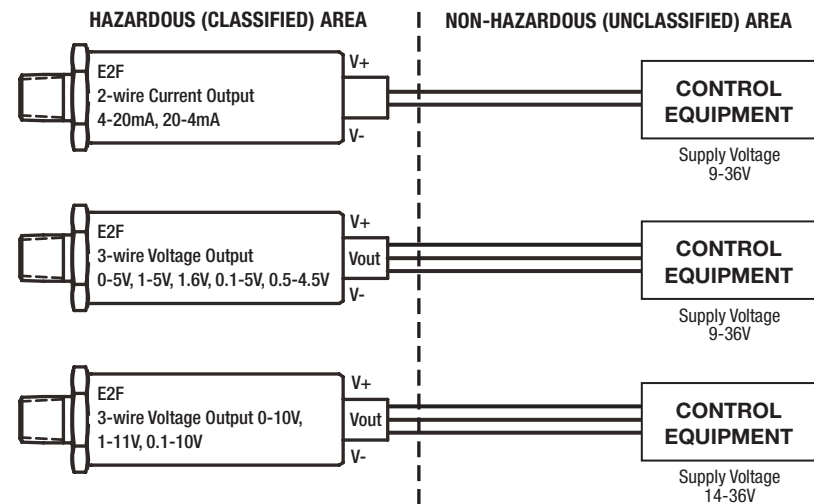
E2F EXPLOSION/FLAME/DUST IGNITION PROOF INSTALLATION

Class I, Division 1, Group A, B, C, D T4 -40°C < Ta < 80°C
 Class II, Division 1, Group E, F, G T4 -40°C < Ta < 80°C
 Class III T4 -40°C < Ta < 80°C

Class I, Zone 1, AEx db IIC T4 Gb -40°C < Ta < 80°C
 Zone 21, AEx tb IIIC T135°C Db -40°C < Ta < 80°C

II 2 G Ex db IIC T4 Gb -40°C < Ta < 80°C
 II 2 D Ex tb IIIC T135°C Db -40°C < Ta < 80°C

- Installation should be in accordance with the National Code (ANSI / NFPA 70)
- Dust-tight conduit seal must be used when installed in Class II and Class III environments
- Use conduit and connectors suitable for the application. Seal all conduit using approved NEC procedures and local codes.



HAZARDOUS AREA CERTIFICATIONS



FM18US0309X

CL I Div 1 A,B,C,D T4
 CL II Div 1 E,F,G T4
 CL III T4



CL I, Zone 1 AEx db IIC T4 -40°C < Ta < 80°C
 Zone 21, AEx tb IIIC T135°C Db -40°C < Ta < 80°C
 II 2 G Ex db IIC T4 Gb -40°C < Ta < 80°C
 II 2 D Ex tb IIIC T135°C Db -40°C < Ta < 80°C

Factory Sealed M20X1.5 THD or ½ NPT
 IP67