

Data Sheet

Receiver Gauges XPR Option

FEATURES

- Used with pneumatic transmitters
- Output air pressure 3 –15 psi and 3 –27 psi
- Available in dial sizes from 2½" thru 8½"
- Custom dials



1279
4½" dial size



1377
4½", 6", 8½" dial size



1379
4½", 6", 8½" dial size

Ashcroft® receiver gauges are used in conjunction with pneumatic transmitters to indicate pressure, temperature, flow or other process parameters that can be transmitted by proportional variations in air pressure. Available in standard transmitter output air pressure ranges of 3 –15 and 3 –27 psi.



		1279
Specifications	Dial Sizes	4½"
	Accuracy	±0.5% of span (ASME B40.100 Grade 2A)
	Case Style	Solid front
	Case Color	Black
Wetted Components	Bourdon Tube	Bronze
	Process Connection	Brass
Ranges	Pressure	See available ranges, how to order
Approvals		CRN, CE/UKCA

		1377
Specifications	Dial Sizes	4½", 6", 8½"
	Accuracy	±0.5% of span (ASME B40.100 Grade 2A)
	Case Style	Solid front
	Case Color	Black
Wetted Components	Bourdon Tube	Bronze
	Process Connection	Brass
Ranges	Pressure	See available ranges, how to order
Approvals		CRN, CE/UKCA

		1379
Specifications	Dial Sizes	4½", 6", 8½"
	Accuracy	±0.5% of span (ASME B40.100 Grade 2A)
	Case Style	Solid front
	Case Color	Black
Wetted Components	Bourdon Tube	Bronze
	Process Connection	Brass
Ranges	Pressure	See available ranges, how to order
Approvals		CRN, CE/UKCA

* Not available with liquid filled gauge case or XLL **PLUS**™ Performance

Receiver Gauges XPR Option


2462
6" dial size



1009
4½", 6" dial size



1009
2½", 3½" dial size

		2462
Specifications	Dial Sizes	6"
	Accuracy	±0.5% of span (ASME B40.100 Grade 2A)
	Case Style	Solid front
	Case Color	Black
Wetted Components	Bourdon Tube	Bronze
	Process Connection	Brass
Ranges	Pressure	See available ranges, how to order
Approvals		CRN, CE/UKCA

		1009
Specifications	Dial Sizes	4½", 6"
	Accuracy	±1.0% of span (ASME B40.100 Grade 1A)
	Case Style	Open front
	Case Color	Stainless steel
Wetted Components	Bourdon Tube	Bronze
	Process Connection	Brass
Ranges	Pressure	See available ranges, how to order
Approvals		CRN, CE/UKCA

		1009
Specifications	Dial Sizes	2½", 3½"
	Accuracy	±0.5% of span (ASME B40.100 Grade 2A)
	Case Style	Open front
	Case Color	Stainless steel
Wetted Components	Bourdon Tube	Bronze
	Process Connection	Brass
Ranges	Pressure	See available ranges, how to order

Data Sheet

Receiver Gauges XPR Option

ORDERING CODE	Example:	451279	A	S	04	L	NH	3-15#
Dial Size/Model Code								
451279 - 4½" solid front		451279						
451377 - 4½" solid front								
601377 - 6" solid front								
851377 - 8½" solid front								
451379 - 4½" solid front								
451379 - 6" solid front								
451379 - 8½" solid front								
602462 - 6" solid front								
251009 - 2½" solid front								
351009 - 3½" solid front								
451009 - 4½" solid front								
601009 - 6" solid front								
System (tube and process connection)								
A - Bronze tube, brass process connection			A					
Design								
S - Solid front case, dry, (1279, 1379, 1377, 2462)				S				
Process Connection Sizes								
02 - ¼ NPT Male, N/A for ranges over 20,000 psi								
04 - ½ NPT Male, N/A for ranges over 20,000 psi					04			
Process Connection Location								
L - Lower						L		
B - Back								
Options (If choosing an option(s) must include a "X") (See Table 1 on page 5 for more options)								
NH - Stainless steel tag wired to case							X_	
PD - Acrylic window (STD. with liquid filled or hermetically sealed cases)							NH	
C4 - Traceable calibration certificate								
Input Range (coding examples only, see range table on page 4 for all standard ranges)								
Single Scales								
15# - 15 psi								3-15#
1BR - 1 bar								
1KG - 1 kg/cm2								
100KP - 100 kPa								
Dual Scales								
15#/BR - 15 psi inner scale, 1 bar outer scale								
1BR/# - 1 bar inner scale, 15 psi outer scale								

Data Sheet

Receiver Gauges XPR Option

Specify required range when ordering

RECEIVER GAUGE RANGES			
0/1	0/75	30/80	100/600
0/2	0/80	5/110	200/700
0/3	0/85	20/120	100/800
0/4	0/90	40/120	200/800
0/5	0/95	20/150	300/800
0/6	0/100	30/150	400/800
0/7	0/120	40/150	450/800
0/8	0/140	50/150	500/800
0/9	0/160	30/180	650/800
0/10	0/180	130/180	200/900
0/11	0/200	100/200	400/900
0/12	0/250	20/220	700/900
0/14	0/300	40/220	200/1000
0/15	0/350	30/240	400/1000
0/16	0/400	100/240	500/1000
0/17	0/500	30/250	600/1000
0/18	0/600	50/250	800/1000
0/19	0/700	100/250	200/1100
0/20	0/760	30/300	400/1200
0/21	0/800	50/300	500/1200
0/25	0/900	100/300	1000/1500
0/26	0/1000	100/300	1000/1500
0/28	0/1500	50/350	300/1600
0/30	0/2000	80/350	1000/1600
0/35	0/3000	150/350	600/1800
0/40	0/4000	100/400	900/1800
0/45	0/5000	150/400	1200/1800
0/50	0/10,000	50/500	700/2000
0/55	0/15,000	100/500	1000/2500
0/60	0/20,000	200/500	1500/2500
0/65	0/30,000	300/500	900/3000
0/70	0/50,000	200/700	1500/3000
SQUARE ROOT RANGES			
0/5	0/70	0/300	0/1500
0/10	0/80	0/350	0/2000
0/15	0/90	0/400	0/3000
0/20	0/100	0/500	0/4000
0/25	0/125	0/600	0/5000
0/30	0/150	0/700	0/10,000
0/40	0/175	0/800	
0/50	0/200	0/900	
COMPOUND RANGES			
30 in. Hg/0/15 psi			
30 in. Hg/0/30 psi			
30 in. Hg/0/60 psi			
30 in. Hg/0/100 psi			
30 in. Hg/0/150 psi			
30 in. Hg/0/500 psi			
30 in. Hg/0/800 psi			

All specifications are subject to change without notice. All sales subject to standard terms and conditions.

Ashcroft®, Duragauge®, Plus!™, Trust the Shield® are trademarks of Ashcroft Inc.

For more information, see [Ashcroft Brands & Trademarks](#)

©2023 Ashcroft Inc. rgxpr_gauge_ds_RevE_05-19-23

Data Sheet

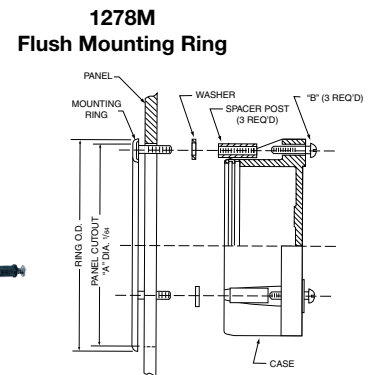
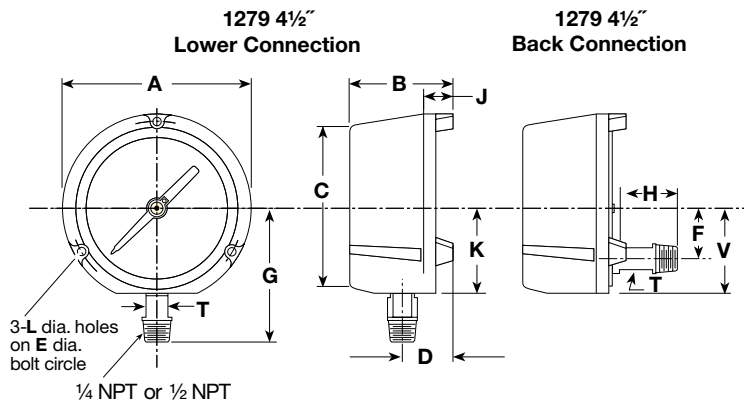
Receiver Gauges XPR Option

DIMENSIONS in [] are millimeters

For reference only, consult Ashcroft for specific dimensional drawings

1279 4½" dial size

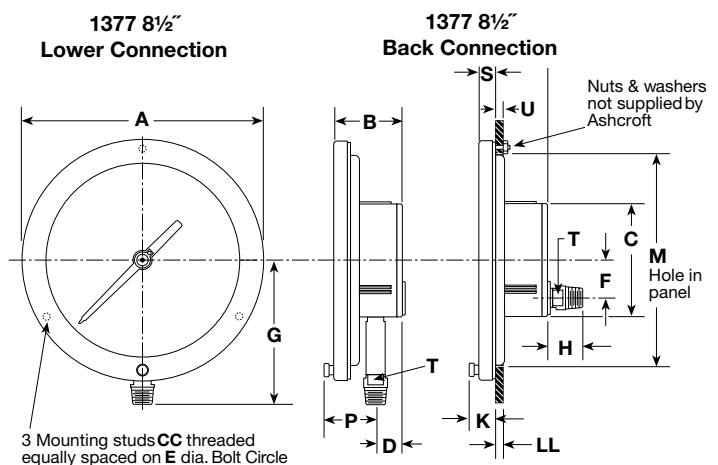
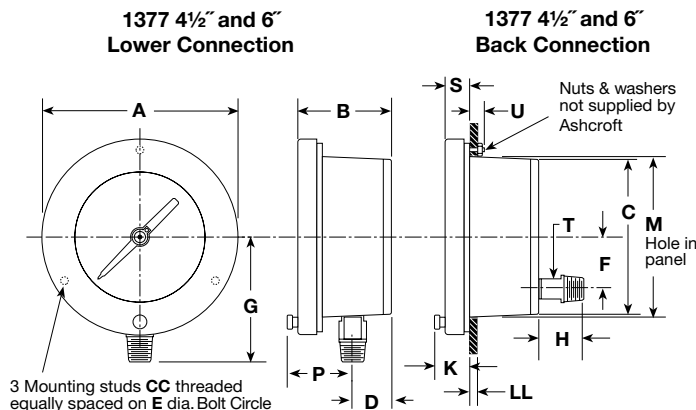
Dial Size Inches	A	B	C	D	E	F	G	H	J	K	T	V	Weight oz / kg
4½	5.81 [147.6]	3.36 [85.3]	5.07 [128.7]	1.06 [40.6]	5.375 [137]	1.62 [41.2]	3.92 [99.6]	0.73 [18.4]	0.22 [5.5]	2.62 [66.7]	0.94 [23.9]	2.625 [67]	2.5 (Dry) 3.5 (L.F.)



Gauge Size Inches	Ring O.D.	"A" DIA.	"B" Size of 3 Screws	"C" Size of Washers
4½	6 [152]	5.625 [148]	#10-24 x 1½	⅞ x 1⅞ x ⅝

1377 4½", 6" and 8½" dial sizes

Dial Size Inches	A	B	C	D	E	F	G	H	K	M	P	S	T	U	CC	LL	Weight oz / kg
4½	6 [152]	2⅞ [73]	4¾ [121]	1⅞ [27]	5⅞ [137]	1⅞ [41]	3⅞ [100]	1⅞ [35]	1⅞ [27]	4⅞ [124]	2⅞ [54]	⅞ [16]	⅞ [16]	¾ [19]	#10-24	⅞-½ [3][13]	2.5
6	7⅞ [192]	2⅞ [73]	4¾ [121]	1⅞ [27]	7 [178]	1⅞ [41]	4½ [114]	1⅞ [35]	1⅞ [27]	6½ [165]	2⅞ [54]	⅞ [16]	⅞ [16]	¾ [19]	¼-20	⅞-½ [3][13]	2.5
8½	10⅞ [257]	2⅞ [73]	4¾ [121]	1⅞ [27]	9⅞ [244]	1⅞ [41]	6 [152]	1⅞ [35]	1⅞ [27]	9 [229]	2⅞ [54]	⅞ [16]	⅞ [16]	¾ [19]	¼-20	⅞-½ [3][13]	4.5



All specifications are subject to change without notice. All sales subject to standard terms and conditions.

Ashcroft®, Duragauge®, Plus!™, Trust the Shield® are trademarks of Ashcroft Inc.

For more information, see [Ashcroft Brands & Trademarks](#)

©2023 Ashcroft Inc. rgxpr_gauge_ds_RevE_05-19-23

Data Sheet

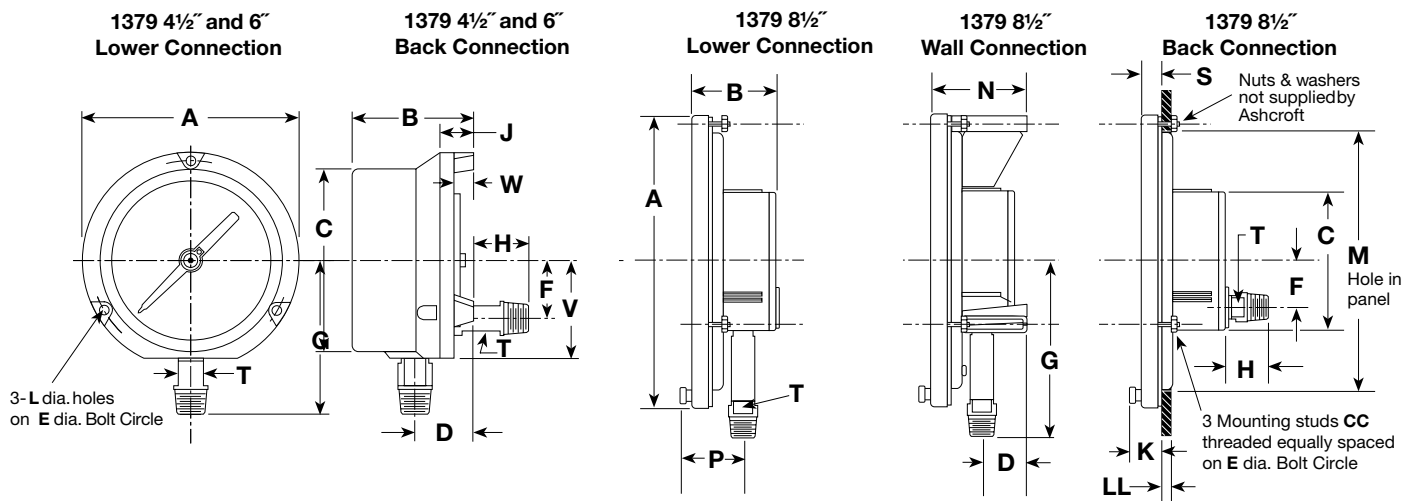
Receiver Gauges XPR Option

DIMENSIONS in [] are millimeters

For reference only, consult Ashcroft for specific dimensional drawings

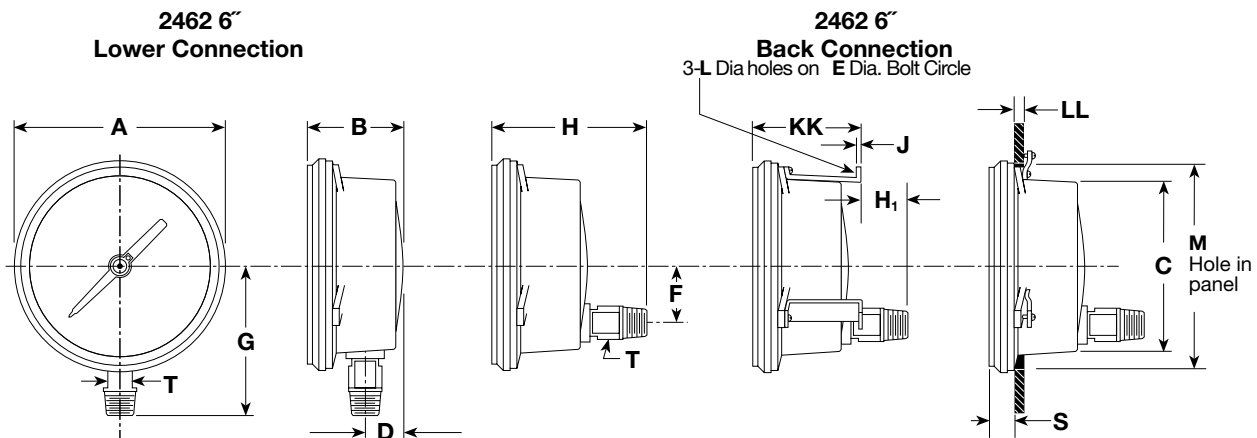
1379 4½", 6" and 8½" dial sizes

Dial Size Inches	A	B	C	CC	D	E	F	G	H	J	K	L	LL	M	N	P	S	T	V	Weight oz / kg
4½	5 ¹ / ₁₆ [148]	3 ³ / ₈ [86]	4 ⁷ / ₈ [124]		1 ⁵ / ₁₆ [41]	5 ³ / ₈ [137]	1½ [42]	3 ¹⁵ / ₁₆ [100]	7 ⁸ / ₁₆ [20]	1 ¹ / ₁₆ [27]		0.218 [6]	½ - ½ [3] [13]			2 ¹ / ₈ [54]		5 ⁵ / ₁₆ [16]	2 ⁵ / ₈ [67]	2.5 (Dry) 3.5 (L.F.)
6	7 ⁹ / ₁₆ [192]	3½ [89]	6 ⁶ / ₁₆ [162]		1 ⁵ / ₁₆ [41]	7 [178]	1½ [42]	4½ [114]	7 ⁸ / ₁₆ [20]	1 ¹ / ₁₆ [27]		0.218 [6]	½ - ½ [3] [13]			2 ¹ / ₈ [54]		5 ⁵ / ₁₆ [16]	2 ⁵ / ₈ [67]	3.0 (Dry) 4.0 (L.F.)
8½	10 ¹ / ₁₆ [256]	2 ⁷ / ₈ [73]	4¾ [121]	#10-24	1 ¹ / ₁₆ [27]	9 ⁹ / ₁₆ [244]	1 ⁵ / ₁₆ [41]	6 [152]	1 ³ / ₈ [35]		1 ¹ / ₁₆ [27]		½ - ½ [3] [13]	9 [228]	3.19 [80.9]		1 ¹ / ₁₆ [17]			4.5 (Dry) 5.5 (L.F.)



2462 6" dial size

Dial Size Inches	A	B	C	D	E	F	G	H	H ₁	J	KK	LL		M	S	T	Weight (lbs)
												Min.	Max.				
6	6 ⁶ / ₁₆ [163]	2 ⁷ / ₁₆ [62]	4¾ [120]	7 ⁸ / ₁₆ [22]	5 ⁵ / ₁₆ [137]	1½ [42]	3 ¹⁵ / ₁₆ [100]	4 ⁹ / ₁₆ [116]	4 ⁴ / ₃₂ [109]	5 ⁶ / ₁₆ [2]	2 ¹¹ / ₁₆ [69]	1 ¹ / ₁₆ [2]	½ [13]	6 [152]	1 ¹ / ₁₆ [17]	5 ⁵ / ₁₆ [16]	2.0 (Dry)



All specifications are subject to change without notice. All sales subject to standard terms and conditions.

Ashcroft®, Duragauge®, Plus!™, Trust the Shield® are trademarks of Ashcroft Inc.

For more information, see [Ashcroft Brands & Trademarks](#)

©2023 Ashcroft Inc. rgxpr_gauge_ds_RevE_05-19-23

Data Sheet

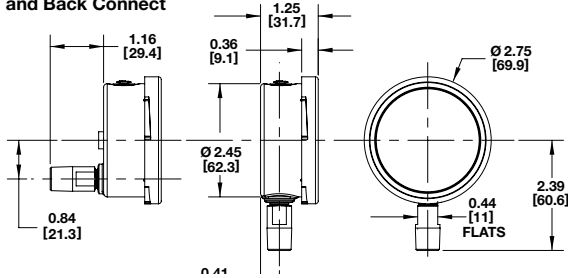
Receiver Gauges XPR Option

DIMENSIONS in [] are millimeters

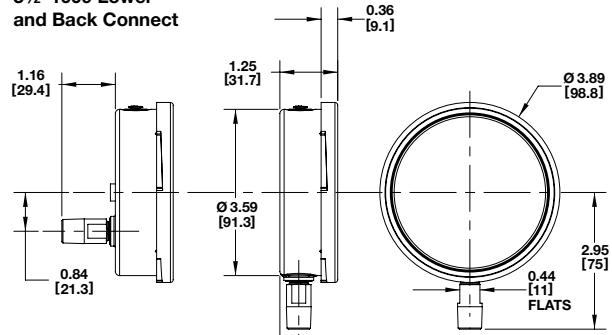
For reference only, consult Ashcroft for specific dimensional drawings

1009 2½", 3½" dial sizes

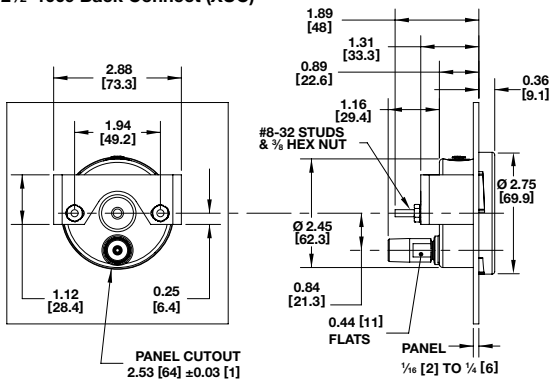
2½" 1009 Lower and Back Connect



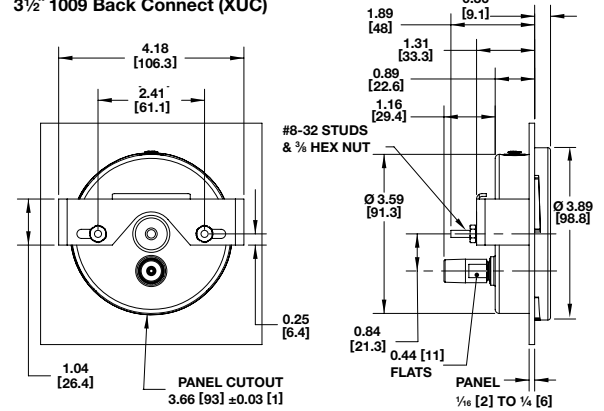
3½" 1009 Lower and Back Connect



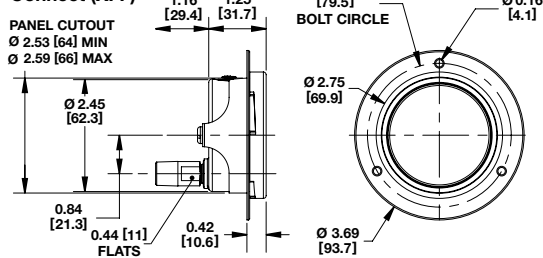
2½" 1009 Back Connect (XUC)



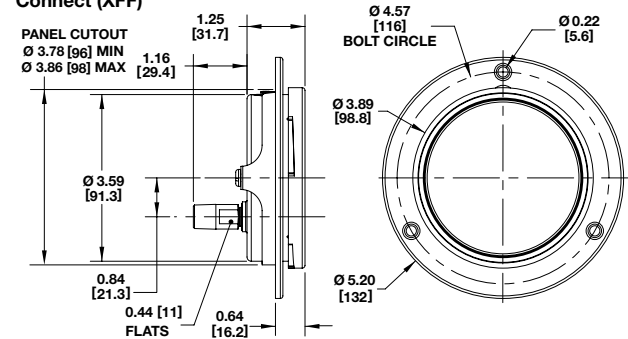
3½" 1009 Back Connect (XUC)



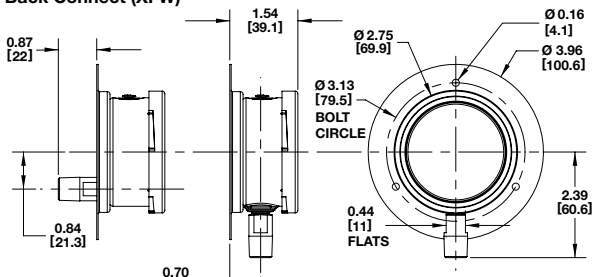
2½" 1009 Back Connect (XFF)



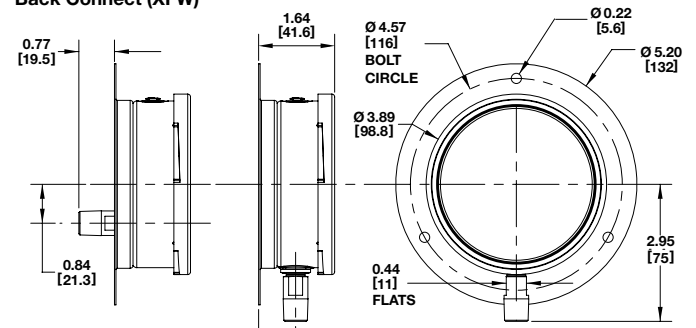
3½" 1009 Back Connect (XFF)



2½" 1009 Lower and Back Connect (XFW)



3½" 1009 Lower and Back Connect (XFW)



All specifications are subject to change without notice. All sales subject to standard terms and conditions.

Ashcroft®, Duragauge®, Plus!™, Trust the Shield® are trademarks of Ashcroft Inc.

For more information, see [Ashcroft Brands & Trademarks](#)

©2023 Ashcroft Inc. rgxpr_gauge_ds_RevE_05-19-23

Data Sheet

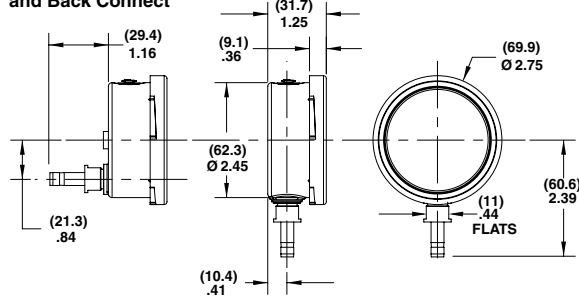
Receiver Gauges XPR Option

DIMENSIONS in [] are millimeters

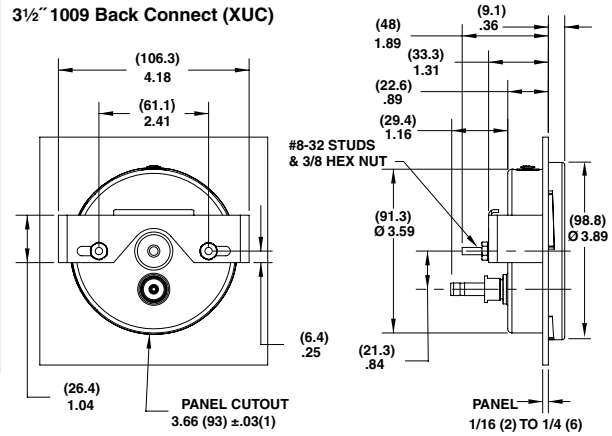
For reference only, consult Ashcroft for specific dimensional drawings

1009 2½", 3½" dial sizes

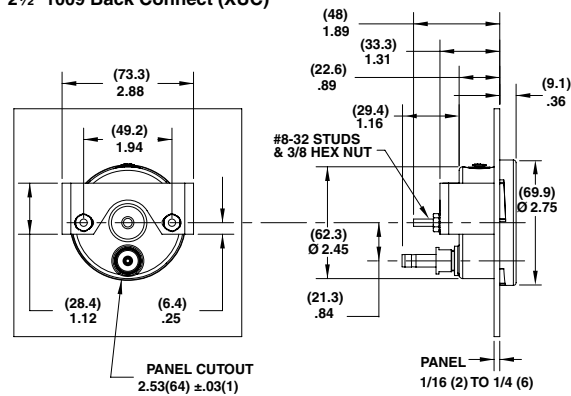
2½" 1009 Lower and Back Connect



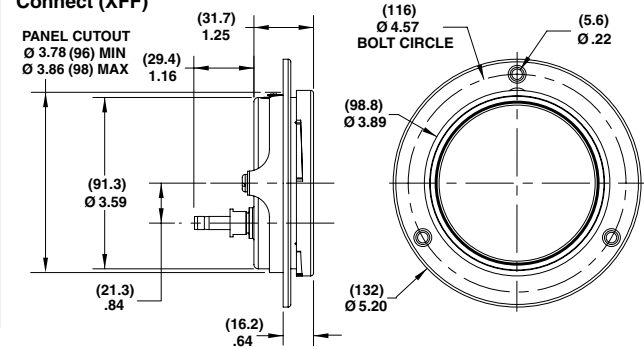
3½" 1009 Back Connect (XUC)



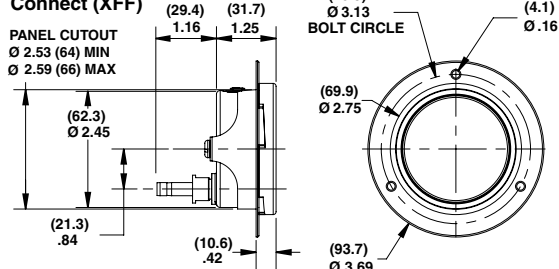
2½" 1009 Back Connect (XUC)



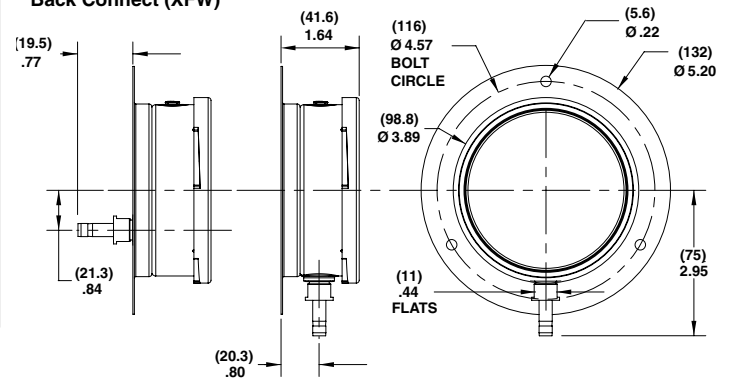
3½" 1009 Back Connect (XFF)



2½" 1009 Back Connect (XFF)



3½" 1009 Lower and Back Connect (XFW)



Receiver Gauges XPR Option

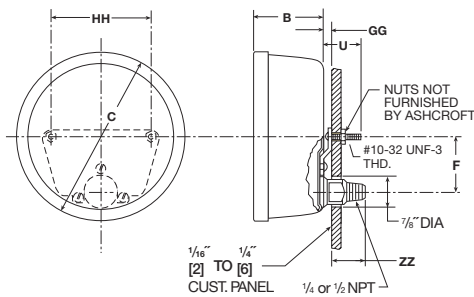
DIMENSIONS in [] are millimeters

For reference only, consult Ashcroft for specific dimensional drawings

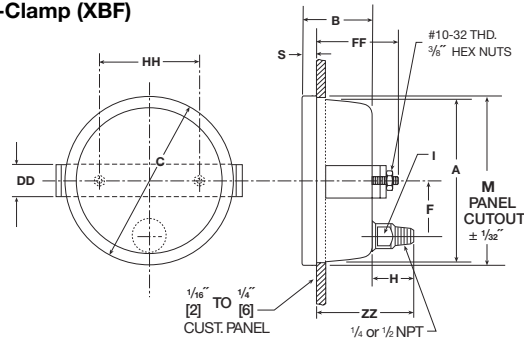
1009 4½", 6" dial sizes

Gauge Size	A	B	C	C-1	D	DD	E	F	FF	G	GG	H	HH	I	J	L	M	S	U	ZZ	Weight	
																					Dry	LF
4½" [100]	4 ²³ / ₃₂	2 ¹ / ₁₆	5 ³ / ₃₂	6 ¹ / ₄	1 ⁵ / ₁₆	1	5 ¹¹ / ₁₆	1 ⁵ / ₈	2 ⁵ / ₁₆	3 ¹⁵ / ₁₆	3 ¹ / ₁₆	1 ⁵ / ₈	3	5 ⁵ / ₈	5 ³ / ₃₂	7 ³ / ₃₂	4 ¹³ / ₁₆	1 ⁵ / ₃₂	1 ⁷ / ₁₆	3 ⁹ / ₃₂	1.75#	2.40#
	[120]	[52]	[129]	[159]	[24]	[25]	[144]	[41]	[59]	[100]	[5]	[41]	[76]	[16]	[4]	[6]	[122]	[12]	[37]	[83]	0.79 kg	1.1 kg
6" [160]	6 ⁵ / ₁₆	2	6 ²¹ / ₃₂	7 ⁴¹ / ₆₄	2 ⁷ / ₃₂	1	7 ¹ / ₃₂	1 ⁵ / ₈	2 ⁵ / ₈	4 ¹³ / ₁₆	3 ¹ / ₁₆	1 ⁵ / ₈	4 ¹ / ₂	5 ⁵ / ₈	1 ¹ / ₁₆	1 ¹ / ₄	6 ⁷ / ₁₆	1 ³ / ₃₂	1 ⁷ / ₁₆	3 ¹ / ₁₆	2.25#	4.12#
	[160]	[51]	[169]	[194]	[22]	[25]	[179]	[41]	[67]	[122]	[5]	[41]	[144]	[16]	[2]	[7]	[163]	[10]	[37]	[81]	1 kg	1.85 kg

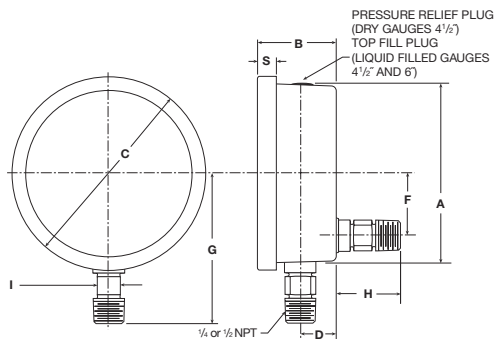
1009 4½" and 6" Back Connect Wall Mounting Bracket (XBF)



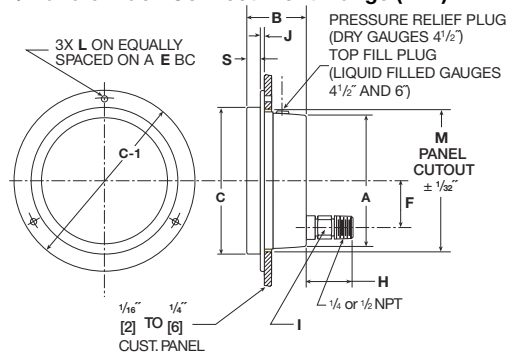
1009 4½" and 6" Back Connect U-Clamp (XBF)



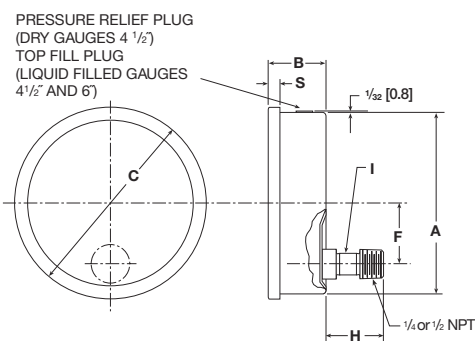
1009 4½" and 6" Lower Back Connect



1009 4½" and 6" Back Connect Front Flange (XFF)



1009 6" Back Connect



1009 6" Lower Connect

