

# Installation Instructions for ASHCROFT® 8008A Pressure Gauge

# ASHCROFT®



## Applicable Standards:

- EN 837-1 Bourdon tube pressure gauges, dimensions, metrology, requirements and testing.
- EN 837-2 Selection and installation recommendations for pressure gauges.
- ASME B40.100 Pressure gauges and gauge attachments
- 2014/68/EC Pressure equipment directive.

**Specifications:** Refer to Ashcroft Type 8008 data sheet (8008a\_gauge\_ds) at [www.ashcroft.com](http://www.ashcroft.com)

## 1. SAFETY

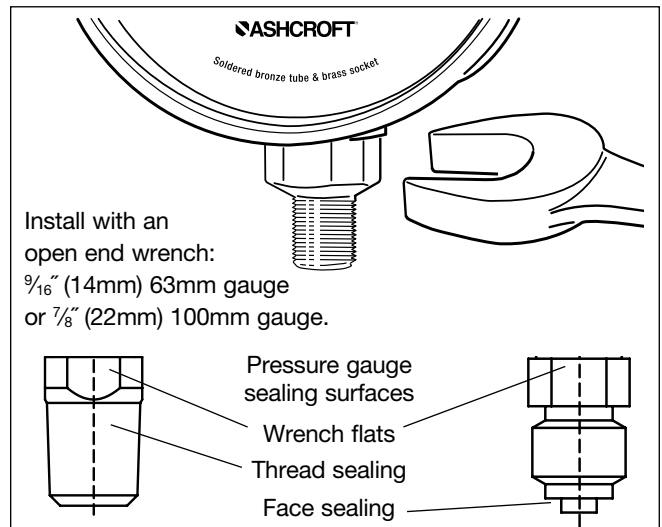


Before installation, be certain the appropriate gauge has been selected considering operating pressure/full scale pressure/proof pressure, wetted material requirements, media compatibility, operating temperature, vibration, pulsation, desired accuracy and any other gauge component related to the service application (including the potential need for protective attachments and/or special installation requirements). Failure to do so could result in equipment damage, gauge failure and/or personal injury. Only qualified personnel should be permitted to install and maintain pressure gauges.

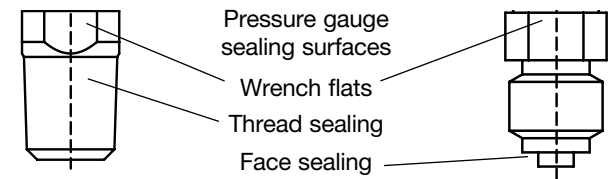
## 2. INSTALLATION

When installing the gauge connection into the application, use the wrench area (above the threaded portion) to thread in and tighten the gauge. Do not use the gauge case to install the gauge. This could result in loss of accuracy, excessive friction, or mechanical damage to the pressure element or gauge case.

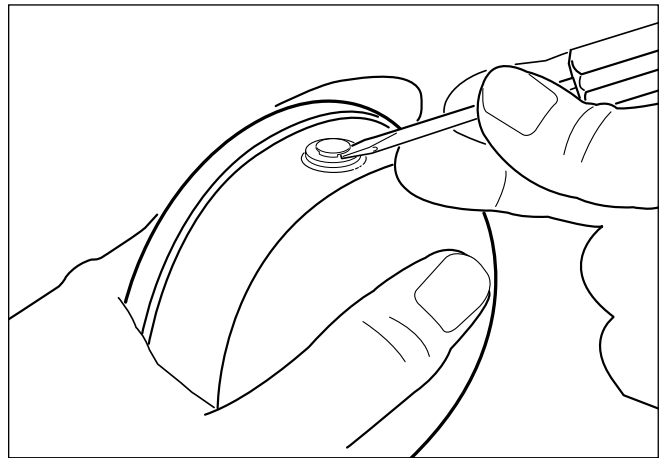
The gauge connection must be compatible with the mating connection and must be assembled appropriately. If the mating parts do not seal completely, a sealing material may be considered.



Install with an open end wrench:  
 $\frac{9}{16}$ " (14mm) 63mm gauge  
or  $\frac{7}{8}$ " (22mm) 100mm gauge.



After installation, pull up the blue cap on the fill/vent plug to the full open position. Opening the vent plug will relieve internal pressure changes in the gauge case that otherwise would have been induced by environmental changes in pressure and/or temperature. Without being vented this change in internal pressure could adversely affect the accuracy of the gauge. If liquid filled, only open vent plugs when the plug is oriented in the vertical position.



## 3. STORAGE

Gauge should remain in original packaging until installation. This will protect from mechanical damage as well as environmental conditions. Storage temperature range from -40 °F to 158 °F (-40 °C to 70 °C).

## 4. MAINTENANCE/REPAIRS

Check regularly to ensure the gauge is in good working order. When removing the gauge from the application make sure there is no pressure in the system and all system media has been isolated from the gauge. If gauge is damaged or out of calibration a new gauge must be installed.

**These gauges are not to be re-calibrated.**

Misuse or misapplication of this gauge could result in gauge failure, equipment damage and/or personal injury.

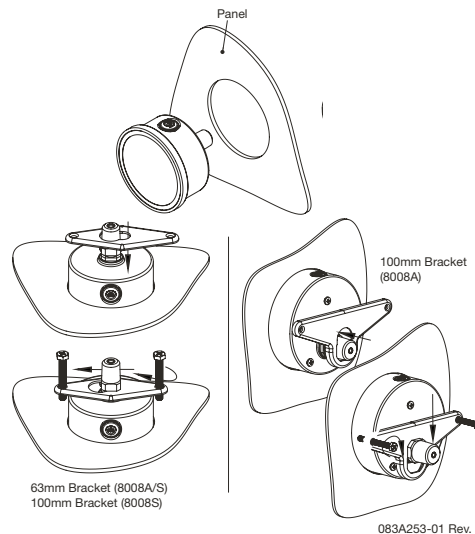
**5. GAUGE MOUNTING KITS**

**Installation Instructions Type 8008A U-Clamp Connection Mounting Kit**

1. Drill panel hole for gauge (see table for sizes).
2. Place gauge through panel. Assemble bracket onto process connection thru larger keyway, then shift bracket to engage into groove of process connection.
3. Install screws (provided) through bracket and tighten onto panel until gauge is secure (5 –7 in-lbs).

NOTE: Use an open end wrench on the gauge process connection when connecting gauge to pressure source.

Gauge Size	Gauge Model No.	Kit Part No.	Panel Hole	
			Min.	Max.
63mm	8008A/S	101A230-631	2.48" (63.0mm)	2.56" (65.0mm)
100mm	8008S	101A230-101S	3.94" (100mm)	4.02" (102.0mm)
	8008A	101A230-101A		

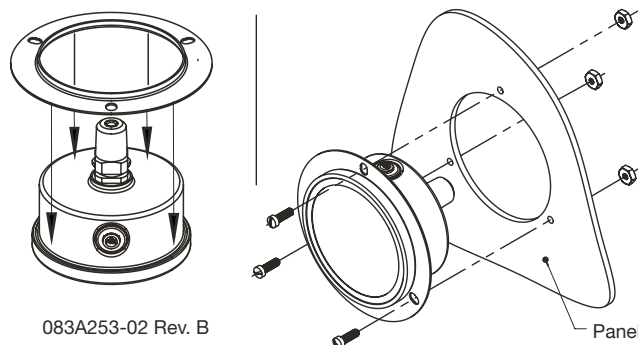


083A253-01 Rev. B

**Installation Instructions for 8008A Front Flange Mounting Kit**

1. Align any screw hole with gauge fill plug and press flange onto back of case until it touches the front ring. (Fill plug should slightly compress to allow flange to slide over it). To prevent warping, press evenly around perimeter of flange as it slides down the case.
2. Drill panel hole for gauge, and drill 3 clearance OR tapped holes (120° apart) for mountingscrews (see table for sizes).
3. Use hardware provided to secure gauge to panel.

NOTE: Use an open end wrench on the gauge process connection when connecting gauge to pressure source.



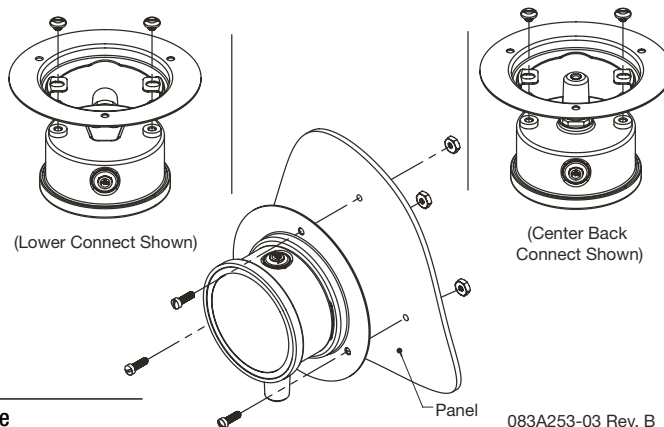
083A253-02 Rev. B

Gauge Size	Kit Part No.	Panel Hole		Bolt Circle	Screw	
		Min	Max		Clearance	Tap Hole/Thread Size
63mm	101A230-632	2.56" (65.0mm)	2.70" (68.8mm)	2.95" (75mm)	0.150" (3.8mm)	0.1065"/#6-32 UNC
100mm	101A230-102	4.04" (102.5mm)	4.15" (105.4mm)	4.65" (118mm)	0.201" (5.1mm)	0.1597"/#10-32 UNF

**Installation Instructions for 8008A Rear Flange Mounting Kit**

1. Place rear flange on back of gauge and secure it in place with the short pan-head screws provided. (Tighten to 10 -16 in-lbs).
2. Drill 3 clearance OR tapped holes in panel (120° apart) for mounting screws (see table for sizes and locations).
3. Use remaining hardware provided to secure gauge to panel.

NOTE: Use an open end wrench on the gauge process connection when connecting gauge to pressure source.



083A253-03 Rev. B

Gauge Size	Kit Part No.	Bolt Circle	Panel Hole	
			Clearance	Tap Hole/Thread
63mm	101A230-633	3.13" (79.5mm)	0.150" (3.8mm)	0.1065"/#6-32 UNC
100mm	101A230-103	4.57" (116.0 mm)	0.201" (5.1mm)	0.1597"/#10-32 UNF

**Installation Instructions  
for ASHCROFT® 8008A  
Pressure Gauge**

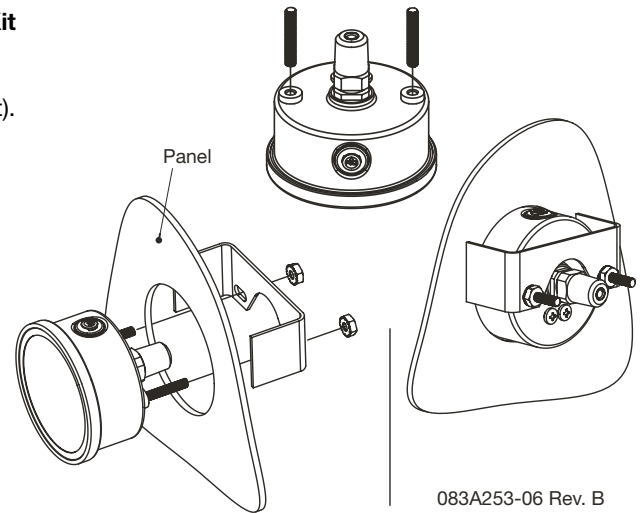


**Installation Instructions Type 8008A U-Clamp Case Mounting Kit**

1. Drill panel hole for gauge (see table for sizes).
2. Install threaded studs (provided) onto back of gauge (finger tight).
3. Place gauge through panel. Assemble bracket onto threaded studs and secure against panel
4. Install locking nuts (provided) onto threaded and tighten until gauge is secure (16 – 20 in-lbs).

NOTE: Use an open end wrench on the gauge process connection when connecting gauge to pressure source.

Gauge Size	Kit Part No.	Panel Hole	
		Min.	Max.
63mm	101A230-636	2.48" (63.0mm)	2.56" (65.0mm)
100mm	101A230-106	3.94" (100mm)	4.02" (102.0mm)



**Installation Instructions Type 8008A Trim Ring Kit**

1. Press trim ring onto back of case until it touches the front ring. (Fill plug should slightly compress to allow trim ring to slide over it. To prevent warping, press evenly around perimeter of trim ring as it slides down the case).
2. Drill panel hole for gauge (see table for sizes).
3. Mount gauge to panel with secondary clamp kit. NOTE; if no other mounting kit is purchased, gauge must be mounted by 'hard plumbing' (not recommended).

NOTE: Use an open end wrench on the gauge process connection when connecting gauge to pressure source.

Gauge Size	Kit Part No.	Panel Hole	
		Min.	Max.
63mm	101A230-637	2.56" (65.0mm)	2.70" (68.8mm)
100mm	101A230-107	4.04" (102.5mm)	4.15" (105.4mm)

