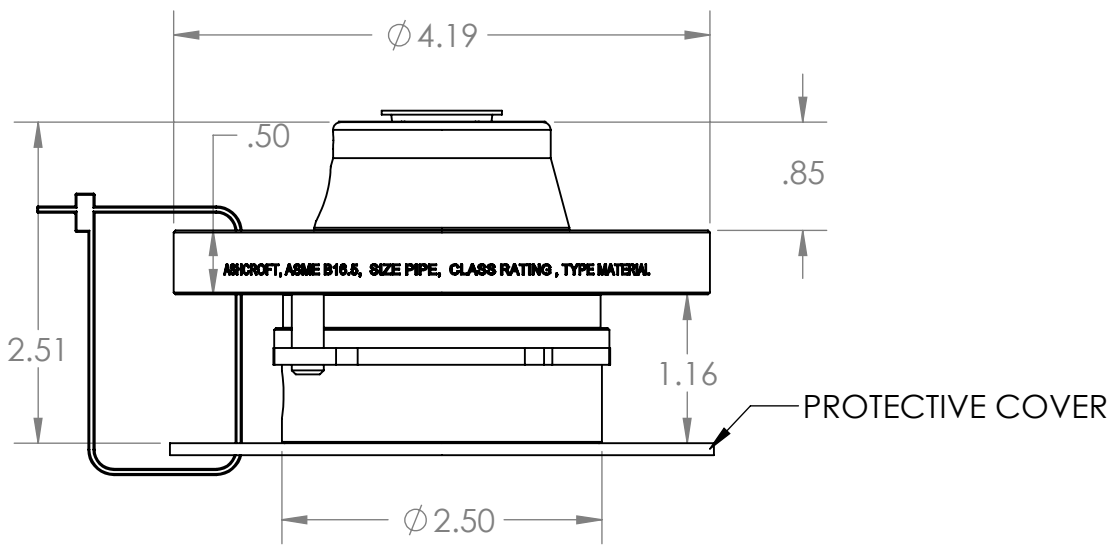
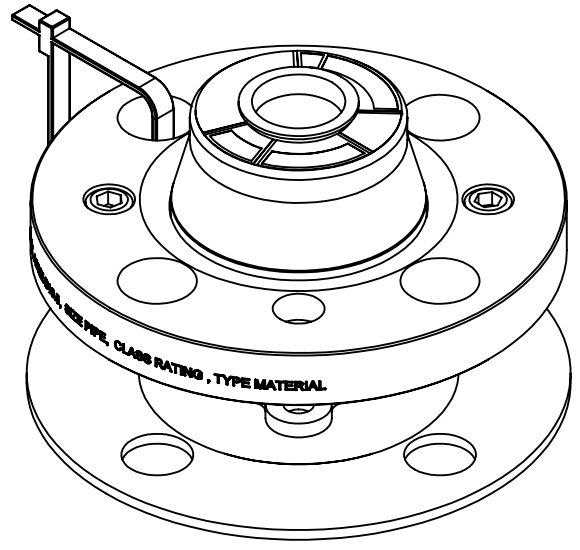
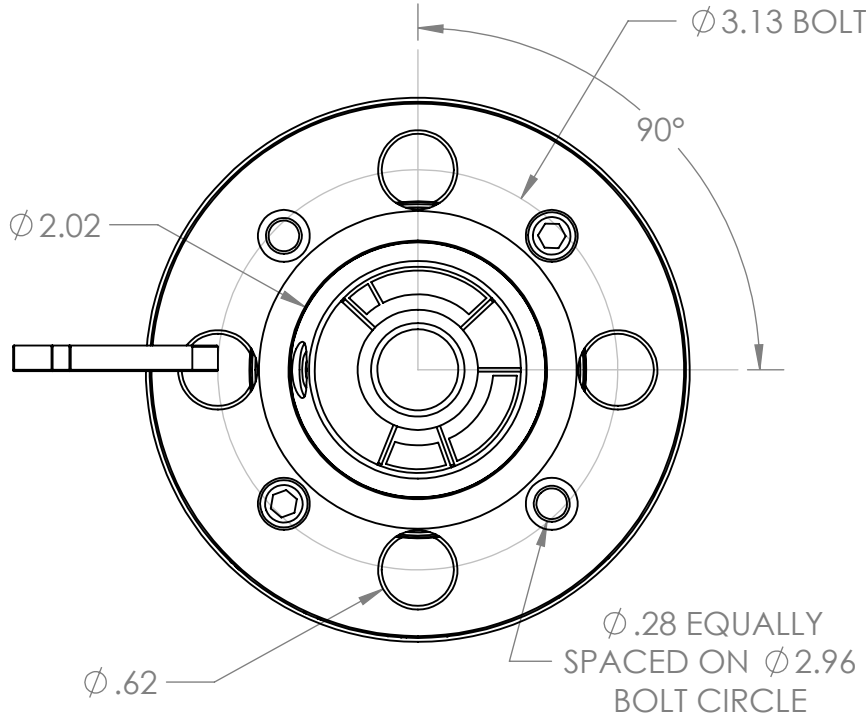


This drawing includes confidential information which is the property of ASHCROFT INC. This copy is loaned for a specific purpose, with the understanding that it will not be reproduced or used for any other purpose or disclosed to others, and it will be returned on demand.



REV.	ECO	DESCRIPTION	BY	DATE
B	0006282	UPDATED DRAWING	JCE	3/4/2013

This print certified correct for		General Dimensions			
Customer's Name		TYPE 103, 203, 303 WELDED			
		PROCESS CONN: 1" - INSTRUMENT CONN: 1/2" NPT			
		FLANGE RATING: 150RF			
Customer's Order No.		Drawn: JE	Date 3/4/13	Date of Issue	
Ashcroft Order No.		Checked	Date	SHEET-1	Rev.
Certified by	Date	Approved	Date	70A3247	B