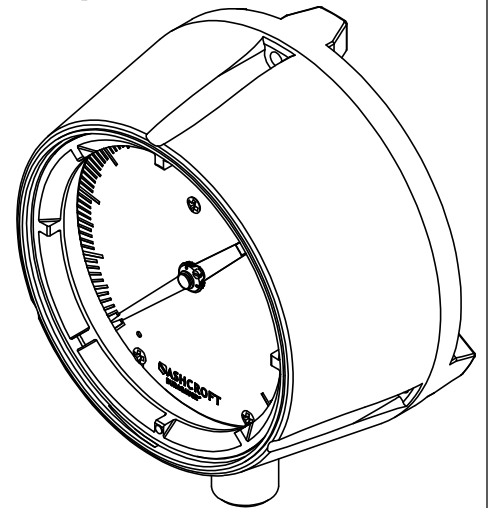
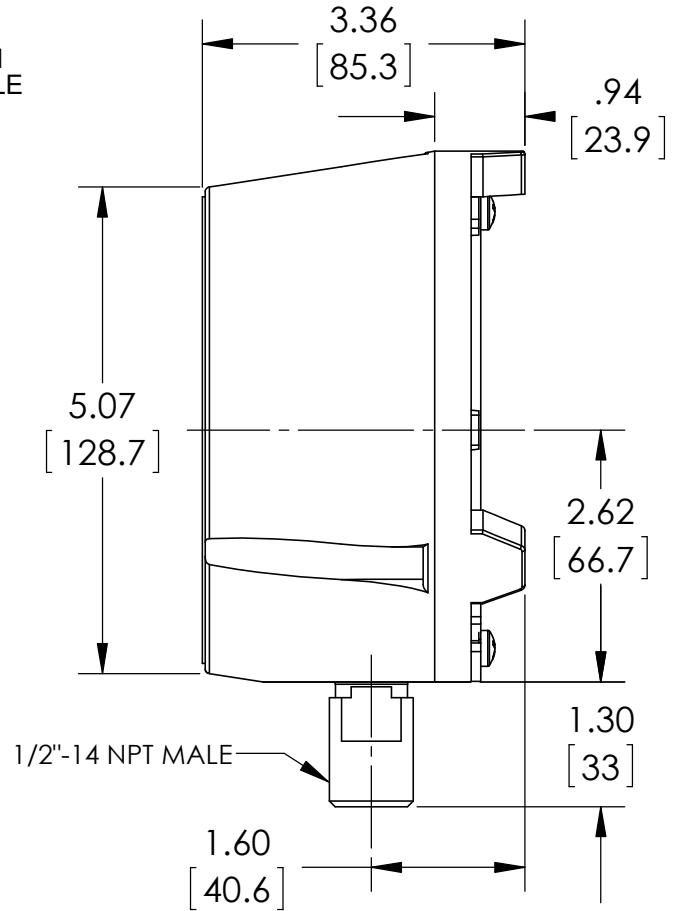
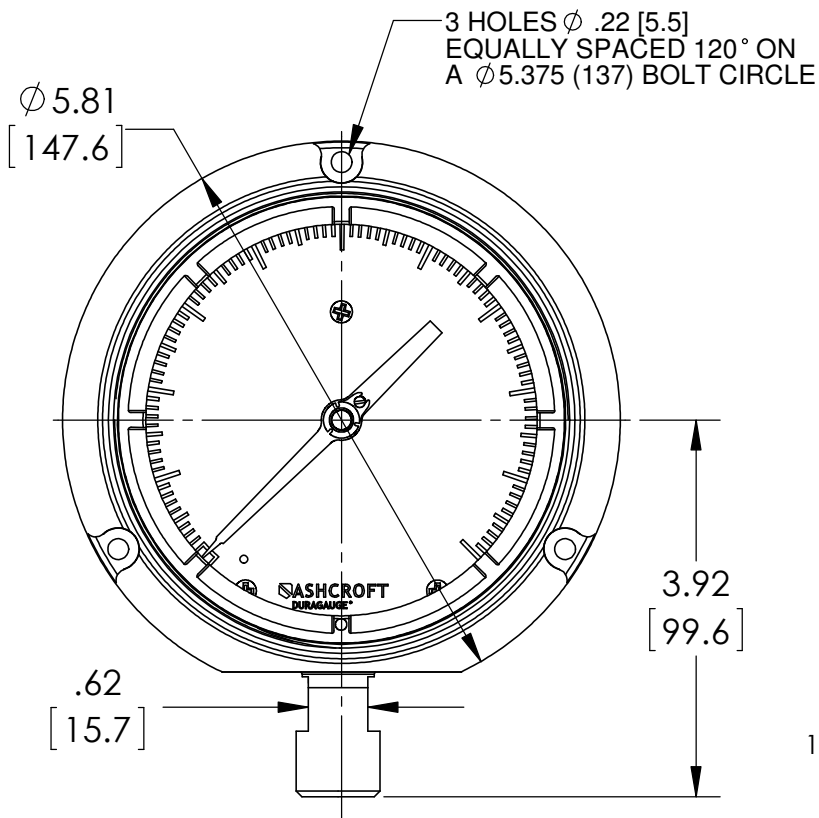


This drawing includes confidential information which is the property of ASHCROFT INC. This copy is loaned for a specific purpose, with the understanding that it will not be reproduced or used for any other purpose or disclosed to others, and it will be returned on demand.

**ASHCROFT**® INC. 250 EAST MAIN STREET  
STRATFORD, CT 06614



DIMENSIONS IN [ ] ARE MILLIMETERS

REV.	ECO	DESCRIPTION	BY	DATE
A	0004455	RELEASED GENERAL DIMS. FOR 45 1279 04L	MJS	5/21/2010
B	0008083	REVISED 1/2" NPT CALLOUT	JDB	5/18/2015

This print certified correct for		<b>General Dimensions</b>			
Customer's Name		45 1279 04L SERIES			
		TURRET CASE DURAGAUGE			
Customer's Order No.		Drawn MJS	Date 5/21/10	Date of Issue	
Ashcroft Order No.		Checked JDB	Date 5/18/15	SHEET-1	Rev.
Certified by	Date	Approved JDB	Date 5/18/15	<b>70A3011</b>	<b>B</b>