

Data Sheet

ZT11 High Purity Pressure Transmitter

FEATURES

- 316L SS wetted parts
- 7 µin Ra Surface finish option
- VCR Male/Female fixed, swivel and flow thru
- 100% Helium leak tested
- Clean room packaged

TYPICAL USES

- High purity gas delivery systems
- Gas sticks
- Process gas analyzers

PERFORMANCE SPECIFICATIONS

Static Accuracy: ±0.25% of span @ 73.4°F (23°C)
Accuracy includes the effects of linearity, hysteresis and repeatability

Stability: <0.25% of span/Yr

Temperature Effect: ±0.05% of span/°C (Zero & Span) in operating temperature range

ENVIRONMENTAL SPECIFICATIONS

Operating Temperature: -4°F to 212°F (-20°C to 70°C)

Storage Temperature: -22°F to 176°F (-30°C to 80°C)

Humidity: 35% to 85% RH

FUNCTIONAL SPECIFICATIONS

Gauge/Compound: Vacuum & 45 psi to vacuum & 3000 psi

Pressure Ranges: 0-45 psi to 0-3000 psi

Response Time: ≤ 5 mSec (10% to 90%)

Leakage Test: < 5 x 10⁻¹¹ atm cc/s

Proof Pressure: 150% of F.S.

ELECTRICAL SPECIFICATIONS

Output Signal: 4 to 20 mA (2 Wire)

Supply Voltage: 15-24 Vdc

Load Resistance: R max (Ω) = 50 * (V supply) - 500
(see line load chart)

Insulation Resistance: > 100MΩ at 50 Vdc

EMC/EMI: EN61326-1: 2013, EN61326-2-3: 2013



KEY BENEFITS

- Ultra-compact size ideal; for high density mounting
- Ultraclean design & packaging
- 316L SS Wetted parts for protection against corrosion

PHYSICAL SPECIFICATIONS

Ingress Rating: IP65 (with mating connector installed)

Case Material: 304 Stainless Steel, PBT

Pressure Connection: 1/16"-18UNF (compatible with VCR) swivel male or female lower connection or flow through

Surface Finish: 20 µin or 7 µin Ra (0.5 µm or 0.18 µm Ra)

Unit Weight: Appx 70g

WETTED MATERIALS

Pressure Sensor: 316L SS

APPROVALS

CE, RoHS

Data Sheet

ZT11 High Purity Pressure Transmitter

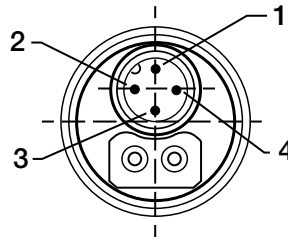
ORDERING CODE Example:	ZT11	3	MVS	42	EW	1	3000#
Model	ZT11						
Accuracy	3 - ±0.25% of span		3				
Pressure Connection	MV - Male 1/16"-18 (VCR Type) Fixed						
	MVS - Male 1/16"-18 (VCR Type) Swivel		MVS				
	FVS - Female 1/16"-18 (VCR Type) Swivel						
	MVT - Male 1/16"-18 (VCR Type) Flow Through						
Output	42 - 4 to 20mA (2 Wire)			42			
Electrical Termination	EW - M12 Connector (4 Pin)				EW		
	E4 - M12 Connector (4 Pin) w mating connector & 9 foot (3 meter) cable						
Surface Finish / Cleaning Grade	0 - GP Grade 20 µin (0.5µm) Ra & grease free cleaned						
	1 - EP Grade 7 µin (0.18µm) Ra & cleaned with no particles 0.1µm or greater					1	
Pressure Range	V/45#						
	V/75#						
	V/150#						
	V/250#						
	V/300#						
	V/3000#						
	45#						
	75#						
	150#						
	300#						
	500#						
	750#						
	1500#						
	3000# (See range table for all standard ranges)						3000#

Data Sheet

ZT11 High Purity Pressure Transmitter

STANDARD RANGES

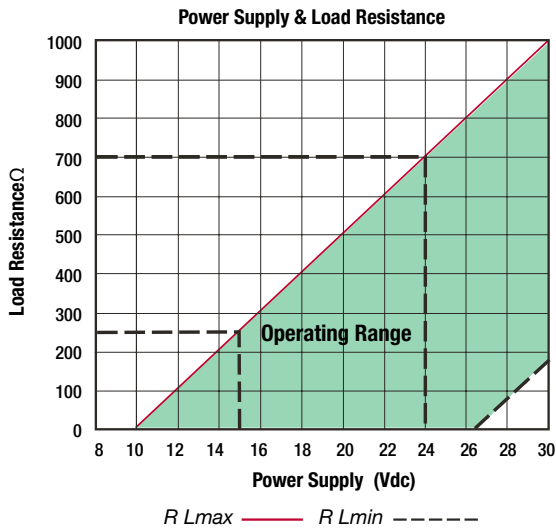
psi	bar	mPa
V/45#	N1/3BR	NP1/P3MP
V/75#	N1/5BR	NP1/P5MP
V/150#	V/10BR	NP1/P1MP
V/250#		
V/300#	N1/20BR	NP1/P2MP
V/3000#	N1/200BR	NP1/P20MP
45#	3BR	P3MP
75#	5BR	P5MP
150#	10BR	1MP
300#	20BR	2MP
500#	35BR	3P5MP
750#	50BR	5MP
1500#	100BR	10MP
3000#	200BR	20MP



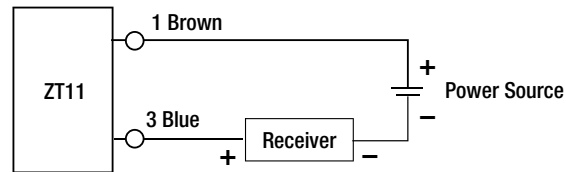
CONNECTOR & WIRING

Terminal Number	2-Wire System	Cable Color
1	Power source (+)	Brown
2	-----	White
3	Power source (-)	Blue
4	-----	Black

POWER SUPPLY & LOAD RESISTANCE



TWO WIRE SYSTEM TERMINAL DISTRIBUTION



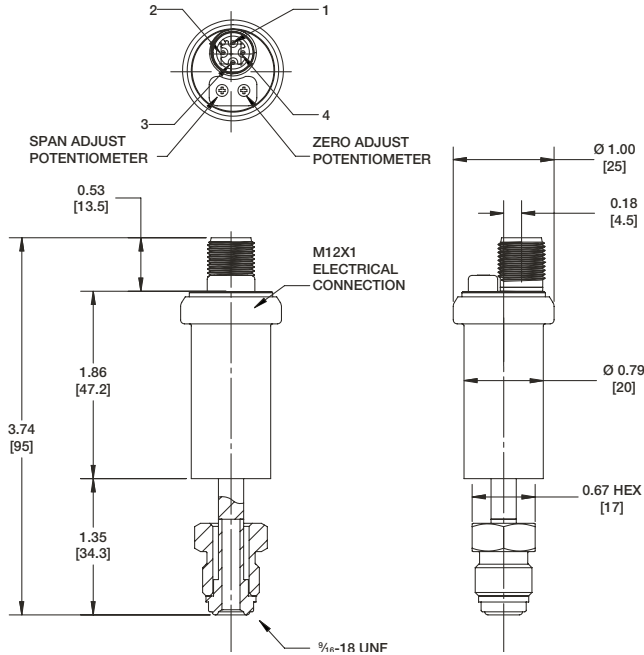
- 1- Brown: Power source (+)
- 3- Blue: Power source (-)

Data Sheet

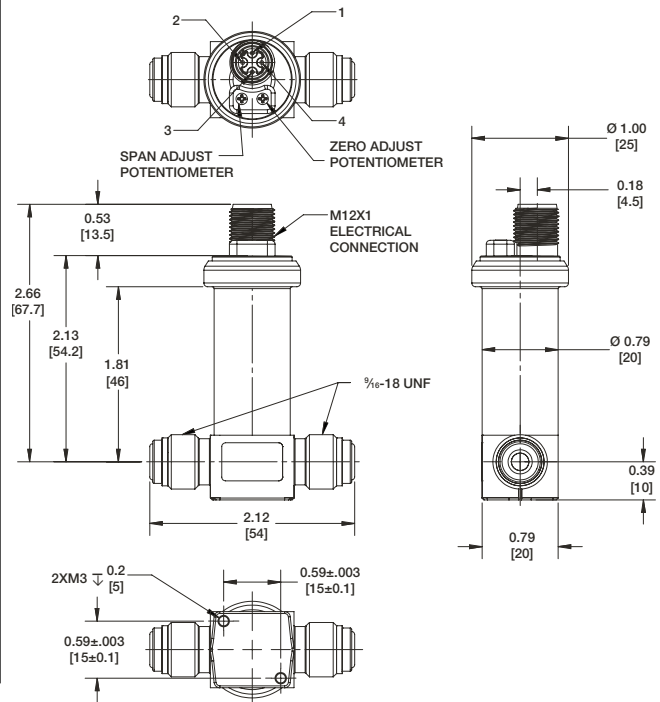
ZT11 High Purity Pressure Transmitter

DIMENSIONS Inches [mm]

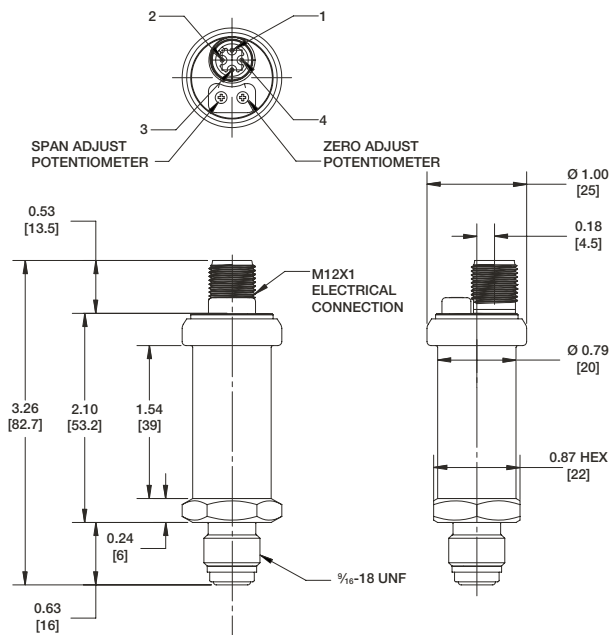
ZT11 Male VCR Type Swivel



ZT11 Male VCR Type Flow-Thru



ZT11 Male VCR Type Fixed



ZT11 Female VCR Type Swivel

