

1130 Differential Pressure Gauge

FEATURES

- High static pressure capability (up to 6,000 psi)
- Ranges from 5 psi to 150 psi
- Reed switches optional for direct system control
- Superior magnets for smoother pointer motion
- Buna-N O-rings (others available)
- Piston actuator
- Dry or liquid filled case

TYPICAL USES

- Filtration monitoring
- Hydraulics
- Flow rate
- Pump performance
- Measuring Pressure Drop



1130
2", 2½", 3½", 4", 4½", 6" dial sizes

SPECIFICATIONS

Accuracy:	±2% ascending pressure full scale differential
Sizes:	2", 2 ½", 3 ½", 4", 4 ½", 6"
Ranges:	0-5 psi to 150 psi
Process Connection Location:	Lower, back, in-line
Process Connection Size:	¼ NPT Female (STD.), ⅛ NPT or ½ NPT Female Adapters (OPT.)
Migration:	Minor migration of process media
Weather Protection:	IP65
Maximum Process Temperature:	175°F (80°C)
Maximum Static Pressure:	3,000 psi (6,000 psi for Stainless steel)

WETTED COMPONENTS

Actuator	O-Rings/Diaphragm	Body Material
Piston	Buna-N	Aluminum, brass or stainless steel

Ceramic magnet & SS spring are also wetted components

NON-WETTED COMPONENTS

Case Material	Window
Stainless steel	Glass (STD.), safety glass or plastic (OPT.)

KEY BENEFITS

- Recommended for high differential and high static pressure
- Low Cost
- Stainless steel Case
- Switch outputs available
- 5 year warranty

RATINGS FOR STANDARD REED SWITCHES

Switches	Contact Rating	Current	Voltage
SPST	10 VA ac (rms) or dc (Max.)	0.5 Amp ac (rms) or dc (Max.)	100 Vac/Vdc (Max.)
SPDT	3 VA ac (rms) or dc (Max.)	0.3 AMP ac (rms) or dc (Max.)	30 Vac/Vdc (Max.)

1130 Differential Pressure Gauge

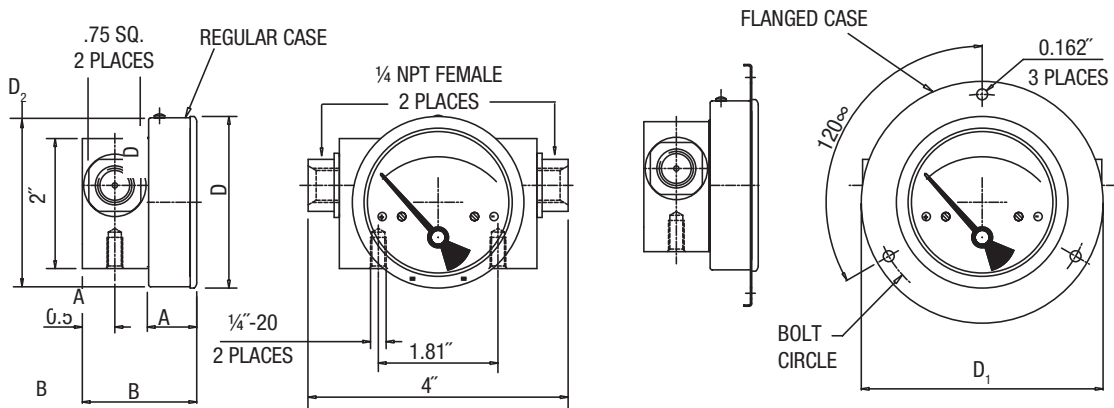
ORDERING CODE	Example:	20	1130	A	D	25	S	XV1	5#
Size									
20 - 2"		20							
25 - 2½"									
35 - 3½"									
40 - 4"									
45 - 4½"									
60 - 6"									
Series									
1130 - Piston Actuated			1130						
Body Material									
A - Brass				A					
F - Aluminum									
S - Stainless steel									
Case Fill									
D - Dry					D				
L - Glycerin fill (Liquid fill has an effect on accuracy that varies with range and temperature.)									
Process Connection Size									
25 - ¼ NPT Female						25			
Process Connection Location									
S - In-Line							S		
L - Lower									
B - Back									
Options (If choosing an option(s) must include an "X")									
BF - Surface mounting plate								X	
CS - Dual scale									
DD - Color band (any combination of green, yellow, red)									
GE - ⅙ NPT Female adapters									
GM - ½ NPT Female adapters									
EP - Maximum pointer (N/A on 2" case)									
FF - Front flange									
VD - Viton® O-rings									
EM - EPDM O-rings									
GV - Silicone fill (Silicone liquid fill is recommended for outside applications even though unit is hermetically sealed.)									
PD - Plastic window									
RP - Reverse porting									
SG - Safety glass (N/A on 2" or 2½" case)									
TM - Pipe mounting bracket (In-line only)									
V1 - 1-SPST switch w/DIN plug	(N/A with back connection)								V1
V2 - 1-SPST switch w/terminal strip	(N/A with back connection)								
V3 - 2-SPST switch w/DIN plug	(N/A with back connection)								
V4 - 2-SPST switch w/terminal strip	(N/A with back connection)								
V5 - 1-SPDT switch w/DIN plug	(N/A with back connection)								
V6 - 1-SPDT switch w/terminal strip	(N/A with back connection)								
V7 - 2-SPDT switch w/DIN plug	(N/A with back connection)								
V8 - 2-SPDT switch w/terminal strip	(N/A with back connection)								
Range (coding examples only, see range table on page 3 for all standard ranges.)									
5# - 5 psi									5#

1130 Differential Pressure Gauge

1130- Single Scale			
psid	kg/cm ²	bar	kPa
-	0.25KSC	0.25BR	25KPa
5#	-	-	-
8#	0.5KSC	0.5BR	50KPa
10#	0.75KSC	0.75BR	75KPa
15#	1KSC	1BR	100KPa
20#	-	-	-
25#	1.6KSC	1.6BR	160KPa
30#	2KSC	2BR	200KPa
-	2.5KSC	2.5BR	250KPa
40#	3KSC	3BR	300KPa
50#	-	-	-
60#	4KSC	4BR	400KPa
-	5KSC	5BR	500KPa
80#	-	-	-
-	6KSC	6BR	600KPa
100#	7KSC	7BR	700KPa
-	9KSC	9BR	900KPa
150#	10KSC	10BR	1,000KPa

DIMENSIONS

For reference only, consult Ashcroft for specific dimensional drawings.



Dial Size	Dimensions					
	Inches	A	B	D	D ₁	D ₂
2"	0.70"	1.70"	2.08"	3.11"	2.04"	2.72"
2.5"	0.75"	1.75"	2.59"	3.66"	2.55"	3.26"
3.5"	0.75"	1.75"	3.26"	4.29"	3.22"	3.86"
4"	0.75"	1.75"	4.10"	5.15"	4.01"	4.76"
4.5"	0.75"	1.75"	4.71"	5.74"	4.60"	5.35"
6"	0.75"	1.75"	6.07"	7.12"	6.00"	6.73"