

## Weld-in Thermowells

### FEATURES

- One piece bar stock construction
- Stamped with mill traceable material and heat number
- Testing and certifications including Wake Frequency Calculations per ASME PTC 19.3 TW-2016
- Standard or customized shank dimensions

### TYPICAL USES

- Chemical and Petrochemical Plants
- Water and Wastewater Pressure Control
- Pharmaceutical / Biotech
- Food and Beverages



**Weld-in Thermowells**  
1½" weld-in sizes

### SPECIFICATIONS

Shank Style:	Tapered
Process Connection:	1½"
Instrument Connection:	½ NPSM, ½ NPT Female
Bore Size:	0.260", 0.385"
Surface Finish:	16-32 RA
Lagging:	2": if U-dimension is <3" 3": if U-dimension is >3"
Cap and Chain:	Brass, Stainless steel

**TABLE 1**

OPTIONS	CODE
Stamp tag number on thermowell	NF
Stainless steel tag wired to thermowell	NH
Hydrostatic test-internal	W9
Clean for oxygen service	6B
Wake frequency calculation	W5
Material origin restriction	UM

### Certificates

Certificate of Conformance (per order)	CD-1A
Physical and Chemical Material Test Report (MTR's)	W6
Positive Material Identification (PMI) N/A Carbon Steel	MQ
NACE Certificate of Compliance	CD-5

### KEY BENEFITS

- Protects instrument against corrosive effects and physical damage caused by media flow
- Permits instrument interchange or calibration check without disturbing/closing down the process
- Tracing of material origin for quality assurance and control

**TABLE 2**

MATERIALS	CODE
304 Stainless steel	C
316 Stainless steel	S
Monel®	M
Hastelloy B/C	G/H
Carpenter 20	D
Chrome Moly F11/F22	FA/FB
Duplex 2205 S/S	J
Super Duplex S32750	SD
Inconel 600	W
Titanium	TI
Carbon Steel	B

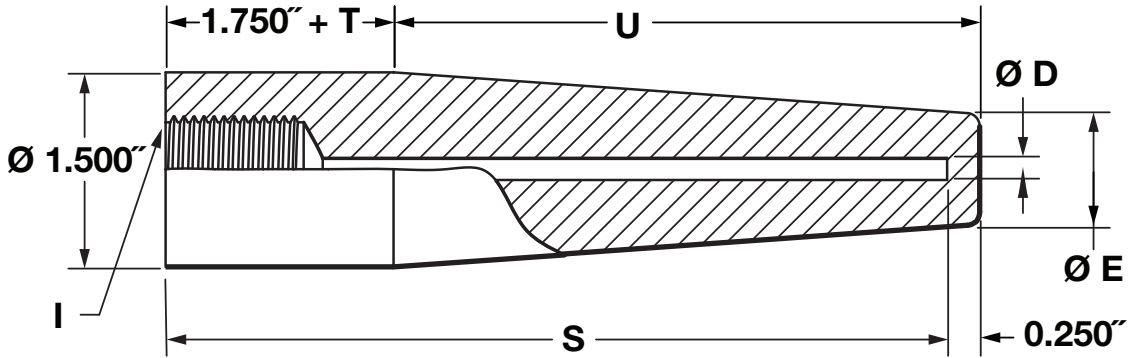
## Weld-in Thermowells

<b>ORDERING CODE</b> Example:	15	W	0450	L	H	W	260	SL	1	XNF	L0350
<b>Process Connection Size</b>											
15 - 1½"	15										
<b>Thermowell</b>											
W - Thermowell		W									
<b>U-Process Insertion Length</b>											
0250 - 2½"											
0450 - 4½"			0450								
0750 - 7½"											
1050 - 10½"											
1350 - 13½"											
1650 - 16½"											
2250 - 22½"											
<b>Instrument Connection</b>											
Blank - ½ NPSM											
2 - ½ NPT Female											
<b>T-Lagging</b>											
Blank - No lagging											
L - Lagging (For special lag length, see below)				L							
<b>Shank Type</b>											
H - Tapered					H						
<b>Process Connection</b>											
W - Weld in						W					
<b>D-Bore Diameter</b>											
260 - 0.260"							260				
385 - 0.385"											
<b>Material (Refer to Table 2)</b>											
CL - 304 Stainless steel											
SL - 316 Stainless steel								SL			
<b>Cap and Chain</b>											
Blank - No cap and chain											
1 - Brass									1		
2 - Stainless steel											
<b>Options - (see Table 1 on page 1 for additional options (If choosing an option(s) must include an "X")</b>											
NF - Stamp tag number on thermowell											NF
<b>Special Lagging Length</b>											
L - Lagging length × 100 (ex: 3.5" × 100 = L0350)											L0350

## Weld-in Thermowells

### DIMENSIONS

For reference only, consult Ashcroft for specific dimensional drawings



DIMENSION (Inches)	
S	U
4	2½
6	4½
9	7½
12	10½
15	13½
18	16½
24	22½

Weld-In	
D	E
0.260"	0.625"
0.385"	0.766"

### Thermowell Legend

I - Instrument connection (½" NPSM STD.)

E - Tip O.D.

D - Bore diameter

U - Insertion depth

S - Instrument stem length or bore depth