

Socket Weld Thermowells

FEATURES

- One piece bar stock construction
- Stamped with mill traceable material and heat number
- Testing and certifications including Wake Frequency Calculations per ASME PTC 19.3 TW-2016
- Standard or customized shank dimensions

TYPICAL USES

- Chemical and Petrochemical Plants
- Water and Wastewater Pressure Control
- Pharmaceutical / Biotech
- Food and Beverages



Socket Weld Thermowells
¾", 1" socket weld sizes

SPECIFICATIONS

Shank Style:	Tapered, straight, or stepped
Process Connection:	¾", 1"
Instrument Connection:	½ NPSM, ½ NPT Female
Bore Size:	0.260", 0.385"
Surface Finish:	16-32 RA
Lagging:	2": if U-dimension is <3" 3": if U-dimension is >3"
Cap and Chain:	Brass, Stainless steel

KEY BENEFITS

- Protects instrument against corrosive effects and physical damage caused by media flow
- Permits instrument interchange or calibration check without disturbing/closing down the process
- Tracing of material origin for quality assurance and control

TABLE 1

OPTIONS	CODE
Stamp tag number on thermowell	NF
SS tag wired to thermowell	NH
Hydrostatic test-internal	W9
Clean for oxygen service	6B
Wake frequency calculation	W5
Material origin restriction	UM

Certificates

Certificate of Conformance (per order)	CD-1A
Physical and Chemical Material Test Report (MTR's)	W6
Positive Material Identification (PMI) N/A Carbon Steel	MQ
NACE Certificate of Compliance	CD-5

TABLE 2

MATERIALS	CODE
304 Stainless steel	C
316 Stainless steel	S
Monel®	M
Hastelloy B/C	G/H
Carpenter 20	D
Chrome Moly F11/F22	FA/FB
Duplex 2205 S/S	J
Super Duplex S32750	SD
Iconel 600	W
Titanium	TI
Carbon Steel	B

Data Sheet

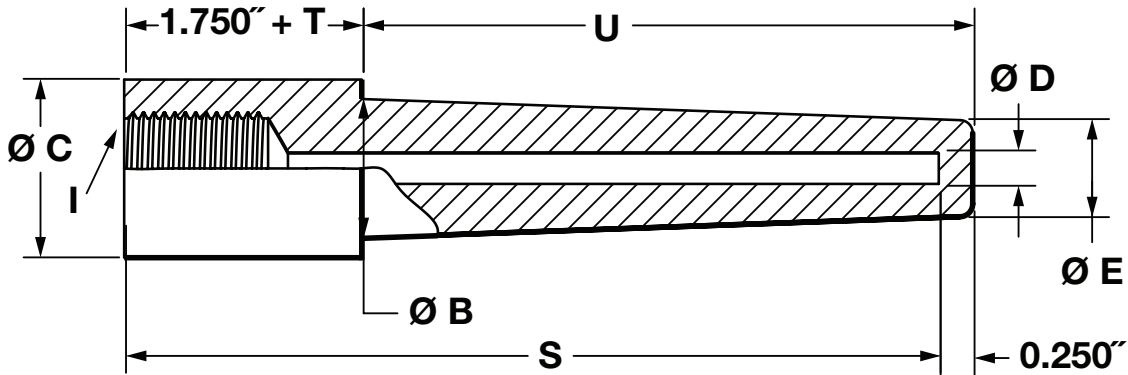
Socket Weld Thermowells

ORDERING CODE Example:	75	W	0450	L	H	S	260	S	1	XNF	L0350
Process Connection Size											
75 - ¾" (socket weld only)	75										
10 - 1" (socket weld only)											
Thermowell											
W - Thermowell		W									
U-Process Insertion Length											
0250 - 2½"											
0450 - 4½"		0450									
0750 - 7½"											
1050 - 10½"											
1350 - 13½"											
1650 - 16½"											
2250 - 22½"											
I-Instrument Connection											
Blank - ½ NPSM											
2 - ½ NPT Female											
T-Lagging											
Blank - No lagging											
L - Lagging (For special lag length, see below)				L							
Shank Type											
H - Tapered					H						
S - Straight											
R - Stepped											
Process Connection											
S - Socket weld						S					
D-Bore Diameter											
260 - 0.260"							260				
385 - 0.385"											
Material (Refer to Table 2)											
C - 304 Stainless steel											
S - 316 Stainless steel								S			
Cap and Chain											
Blank - No cap and chain											
1 - Brass									1		
2 - Stainless Steel											
Options - (see Table 1 on page 1 for additional options (If choosing an option(s) must include an "X")											
NF - Stamp tag number on thermowell											NF
Special Lagging Length											
L - Lagging length × 100 (ex: 3.5" × 100 = L0350)											L0350

Socket Weld Thermowells

DIMENSIONS

For reference only, consult Ashcroft for specific dimensional drawings



DIMENSION (Inches)			PART NUMBER	
P	S	U	1/4" Bore	3/8" Bore
3/4 1	4	2 1/2	75W0250HS260	75W0250HS385
			10W0250HS260	10W0250HS385
3/4 1	6	4 1/2	75W0450HS260	75W0450HS385
			10W0450HS260	10W0450HS385
3/4 1	9	7 1/2	75W0750HS260	75W0750HS385
			10W0750HS260	10W0750HS385
3/4 1	12	10 1/2	75W1050HS260	75W1050HS385
			10W1050HS260	10W1050HS385
3/4 1	15	13 1/2	75W1350HS260	75W1350HS385
			10W1350HS260	10W1350HS385
3/4 1	18	16 1/2	75W1650HS260	75W1650HS385
			10W1650HS260	10W1650HS385
3/4 1	24	22 1/2	75W2250HS260	75W2250HS385
			10W2250HS260	10W2250HS385

Socket Weld Tapered - 0.260 & 0.385 Bore					
Pipe Size	C	B 0.260 Bore	B 0.385 Bore	E 0.260 Bore	E 0.385 Bore
3/4"	1.05"	0.78"	0.87"	0.625"	0.766"
1"	1.315"	1.03"	1.03"	0.625"	0.766"

Thermowell Legend

I - Instrument connection (1/2" NPSM is STD.)

E - Tip O.D.

D - Bore diameter

U - Insertion depth

S - Instrument stem length or bore depth

C - Hub diameter

B - Root OD